

# HB 1200 - 1400 - 1600

ARMADI MONOBLOCCO MONOBLOCK CABINETS



PROTEZIONE  
PROTECTION  
**IP55**

IMPATTO  
IMPACT  
**IK10**



**Dimensioni**  
Dimensions

**Luce utile porta**  
Usable perforation  
surface

**Dimensioni  
piastra**  
Dimension of the  
mounting plate

**Sezione  
passaggio cavi**  
Cable-entry

**Peso**  
Weight  
**kg**

PAG.



**SISTEMI DI CHIUSURA**  
CLOSING SYSTEM

**145**



**SISTEMI DI AERAZIONE**  
VENTILATION SYSTEMS

**146**

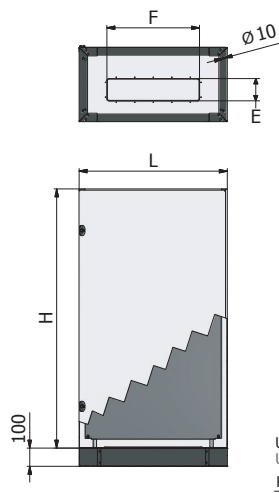


**ZOCCOLI**  
PLINTH

**151**

| H            | H    | L                 | W   | P | D | A       | B    | C    | D    | E   | F   |     |
|--------------|------|-------------------|-----|---|---|---------|------|------|------|-----|-----|-----|
| 1200         | 600  | 300               |     |   |   | 550     | 1150 | 550  | 1150 | 120 | 500 | 48  |
| 1200         | 800  | 300               |     |   |   | 690     | 1150 | 750  | 1150 | 120 | 500 | 65  |
| <b>NEW ▶</b> | 1200 | 800 <sup>D</sup>  | 300 |   |   | 240-240 | 1150 | 750  | 1150 | 120 | 500 | 65  |
|              | 1200 | 800               | 400 |   |   | 690     | 1150 | 750  | 1150 | 120 | 500 | 68  |
| <b>NEW ▶</b> | 1200 | 800 <sup>D</sup>  | 400 |   |   | 240-240 | 1150 | 750  | 1150 | 120 | 500 | 68  |
| <b>NEW ▶</b> | 1200 | 1000              | 300 |   |   | 840     | 1150 | 890  | 1150 | 120 | 500 | 74  |
| <b>NEW ▶</b> | 1200 | 1000 <sup>D</sup> | 300 |   |   | 340-340 | 1150 | 890  | 1150 | 120 | 500 | 74  |
|              | 1400 | 600               | 300 |   |   | 440     | 1250 | 530  | 1305 | 120 | 300 | 56  |
|              | 1400 | 600               | 400 |   |   | 440     | 1250 | 530  | 1305 | 120 | 300 | 60  |
|              | 1400 | 800               | 400 |   |   | 690     | 1250 | 730  | 1305 | 120 | 500 | 76  |
|              | 1400 | 1000              | 400 |   |   | 840     | 1250 | 890  | 1305 | 150 | 700 | 92  |
| <b>NEW ▶</b> | 1400 | 1000 <sup>D</sup> | 400 |   |   | 340-340 | 1250 | 890  | 1305 | 150 | 700 | 92  |
|              | 1400 | 1200 <sup>D</sup> | 400 |   |   | 440-440 | 1250 | 1090 | 1305 | 150 | 900 | 108 |
|              | 1600 | 600               | 300 |   |   | 440     | 1450 | 490  | 1505 | 120 | 300 | 64  |
|              | 1600 | 600               | 400 |   |   | 440     | 1450 | 490  | 1505 | 150 | 300 | 72  |
|              | 1600 | 800               | 300 |   |   | 640     | 1450 | 690  | 1505 | 120 | 500 | 82  |
| <b>NEW ▶</b> | 1600 | 800 <sup>D</sup>  | 300 |   |   | 240-240 | 1450 | 690  | 1505 | 120 | 500 | 82  |
|              | 1600 | 800               | 400 |   |   | 640     | 1450 | 690  | 1505 | 150 | 500 | 92  |
| <b>NEW ▶</b> | 1600 | 800 <sup>D</sup>  | 400 |   |   | 240-240 | 1450 | 690  | 1505 | 150 | 500 | 92  |
|              | 1600 | 1000              | 400 |   |   | 840     | 1450 | 890  | 1505 | 150 | 700 | 104 |
|              | 1600 | 1000 <sup>D</sup> | 400 |   |   | 340-340 | 1450 | 890  | 1505 | 150 | 700 | 106 |
| <b>NEW ▶</b> | 1600 | 1200 <sup>D</sup> | 400 |   |   | 440-440 | 1450 | 1090 | 1505 | 150 | 900 | 130 |

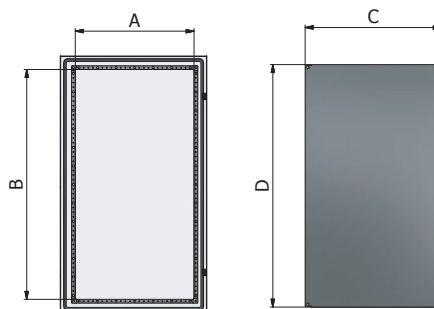
D = porta divisa in battuta / solid leaf door



PAG. 152 SCHEDA TECNICA ZOCCOLI  
DATA SHEET PLINTH

PIASTRA INTERNA FISSA  
INTERNAL MOUNTING PLATE FIXED

PIASTRA INTERNA  
INTERNAL MOUNTING PLATE



UTILE USABILE  
P - 35

Corpo, porta anteriore, piastra interna e zoccolo da 100.

Cabinet structure, front door, mounting plate and plinth H=100.



| Dimensioni<br>Dimensions |     | Articolo<br>Article | Piastra interna<br>fissata sul retro<br>Internal mounting plate<br>fixed on the rear | Piastra interna<br>regolabile<br>Adjustable internal<br>mounting plate | Flange entrata<br>cavi regolabili<br>Adjustable modular<br>cable entry |
|--------------------------|-----|---------------------|--|--|--|
| H                        | H   | L                   | W  | P  | D  |
| 1200                     | 600 | 300                 | HB1263   | •  |  |
| 1200                     | 800 | 300                 | HB1283   | •  |  |
| 1200                     | 800 | 400                 | HB1284   | •  |  |
| 1400                     | 600 | 300                 | HB1463   | •  |  |
| 1400                     | 600 | 400                 | HB1464   | •  |  |
| 1400                     | 800 | 400                 | HB1484   | •  |  |

|       | H    | H                 | L   | W | P | D | Articolo<br>Article | Piastra interna<br>fissata sul retro<br>Internal mounting plate<br>fixed on the rear | Piastra interna<br>regolabile<br>Adjustable internal<br>mounting plate | Flange entrata<br>cavi regolabili<br>Adjustable modular<br>cable entry |
|-------|------|-------------------|-----|---|---|---|---------------------|--|--|--|
| NEW ▶ | 1200 | 800 <sup>D</sup>  | 300 |   |   |   | HB1283D             | •  |  |  |
| NEW ▶ | 1200 | 800 <sup>D</sup>  | 400 |   |   |   | HB1284D             | •  |  |  |
| NEW ▶ | 1200 | 1000              | 300 |   |   |   | HB1213              | •  |  |  |
| NEW ▶ | 1200 | 1000 <sup>D</sup> | 300 |   |   |   | HB1213D             | •  |  |  |
|       | 1400 | 1000              | 400 |   |   |   | HB1414              |  | •  | •  |
| NEW ▶ | 1400 | 1000 <sup>D</sup> | 400 |   |   |   | HB1414D             |  | •  | •  |
|       | 1400 | 1200 <sup>D</sup> | 400 |   |   |   | HB1424D             |  | •  | •  |
|       | 1600 | 600               | 300 |   |   |   | HB1663              | •  |  |  |
|       | 1600 | 600               | 400 |   |   |   | HB1664              |  | •  | •  |
|       | 1600 | 800               | 300 |   |   |   | HB1683              | •  |  |  |
| NEW ▶ | 1600 | 800 <sup>D</sup>  | 300 |   |   |   | HB1683D             | •  |  | •  |
| NEW ▶ | 1600 | 800 <sup>D</sup>  | 400 |   |   |   | HB1684              |  | •  | •  |
| NEW ▶ | 1600 | 800 <sup>D</sup>  | 400 |   |   |   | HB1684D             |  | •  | •  |
|       | 1600 | 1000              | 400 |   |   |   | HB1614              |  | •  | •  |
|       | 1600 | 1000 <sup>D</sup> | 400 |   |   |   | HB1614D             |  | •  | •  |
| NEW ▶ | 1600 | 1200 <sup>D</sup> | 400 |   |   |   | HB1624D             |  | •  | •  |

Corpo, porta anteriore  
(Piastra non compresa).

Cabinet structure, front door  
(Mounting plate not included).



ARTICOLI PER COMPLETAMENTO / MAIN ACCESSORIES

| Dimensioni<br>Dimensions |     | Articolo<br>Article | Piastra<br>Mounting plate | Zoccolo<br>Plinth<br>H=100 |     |
|--------------------------|-----|---------------------|---------------------------|----------------------------|-----|
| H                        | H   | L                   | W                         | P                          | D   |
| 1200                     | 600 | 300                 | HB1263N                   | PI12.60*                   | Z63 |
| 1200                     | 800 | 300                 | HB1283N                   | PI12.80*                   | Z83 |
| 1200                     | 800 | 400                 | HB1284N                   | PI12.80*                   | Z84 |
| 1400                     | 600 | 300                 | HB1463N                   | P146HB*                    | Z63 |
| 1400                     | 600 | 400                 | HB1464N                   | P146HB*                    | Z64 |
| 1400                     | 800 | 400                 | HB1484N                   | P148HB*                    | Z84 |

\* Piastra interna fissata sul retro  
\* Internal mounting plate fixed on the rear

|       | H    | H                 | L   | W | P | D | Articolo<br>Article | Piastra<br>Mounting plate | Zoccolo<br>Plinth<br>H=100 |
|-------|------|-------------------|-----|---|---|---|---------------------|---------------------------|----------------------------|
| NEW ▶ | 1200 | 800 <sup>D</sup>  | 300 |   |   |   | HB1283DN            | PI12.80*                  | Z83                        |
| NEW ▶ | 1200 | 800 <sup>D</sup>  | 400 |   |   |   | HB1284DN            | PI12.80*                  | Z84                        |
| NEW ▶ | 1200 | 1000              | 300 |   |   |   | HB1213N             | PI12.10*                  | Z103                       |
| NEW ▶ | 1200 | 1000 <sup>D</sup> | 300 |   |   |   | HB1213DN            | PI12.10*                  | Z103                       |
|       | 1400 | 1000              | 400 |   |   |   | HB1414N             | P141HB*                   | Z104                       |
| NEW ▶ | 1400 | 1000 <sup>D</sup> | 400 |   |   |   | HB1414DN            | P141HB*                   | Z104                       |
|       | 1400 | 1200 <sup>D</sup> | 400 |   |   |   | HB1424DN            | P142H                     | Z124                       |
|       | 1600 | 600               | 300 |   |   |   | HB1663N             | P166H*                    | Z63                        |
|       | 1600 | 600               | 400 |   |   |   | HB1664N             | P166H*                    | Z64                        |
|       | 1600 | 800               | 300 |   |   |   | HB1683N             | P168H*                    | Z83                        |
| NEW ▶ | 1600 | 800 <sup>D</sup>  | 300 |   |   |   | HB1683DN            | P168H*                    | Z83                        |
| NEW ▶ | 1600 | 800 <sup>D</sup>  | 400 |   |   |   | HB1684N             | P168H                     | Z84                        |
| NEW ▶ | 1600 | 800 <sup>D</sup>  | 400 |   |   |   | HB1684DN            | P168H                     | Z84                        |
|       | 1600 | 1000              | 400 |   |   |   | HB1614N             | P161H                     | Z104                       |
|       | 1600 | 1000 <sup>D</sup> | 400 |   |   |   | HB1614DN            | P161H                     | Z104                       |
| NEW ▶ | 1600 | 1200 <sup>D</sup> | 400 |   |   |   | HB1624DN            | P162H                     | Z124                       |

PIASTRA NON COMPRESA  
MOUNTING PLATE NOT INCLUDED

I codici con lettera D indicano  
porta divisa in battuta.

The D in the article code means  
the cabinet with double  
solid leaf door.

# HB 1800 - 2000

ARMADI MONOBLOCCO MONOBLOCK CABINETS



PROTEZIONE  
PROTECTION  
**IP55**

IMPATTO  
IMPACT  
**IK10**



| Dimensioni<br>Dimensions |                   |     |   |   |   | Luce utile porta<br>Usable perforation<br>surface | Dimensioni<br>piastra<br>Dimension of the<br>mounting plate |      |      |     | Sezione<br>passaggio cavi<br>Cable-entry | Peso<br>Weight<br>kg |
|--------------------------|-------------------|-----|---|---|---|---|---|------|------|-----|--|----------------------|
| H                        | H                 | L   | W | P | D | A   | B   | C    | D    | E   | F  |                      |
| 1800                     | 600               | 300 |   |   |   | 440   | 1650  | 490  | 1705 | 150 | 350                                      | 72                   |
| 1800                     | 600               | 400 |   |   |   | 440   | 1650  | 490  | 1705 | 150 | 350                                      | 80                   |
| 1800                     | 800               | 300 |   |   |   | 640   | 1650  | 690  | 1705 | 150 | 350                                      | 92                   |
| 1800                     | 800 <sup>D</sup>  | 300 |   |   |   | 240-240   | 1650  | 690  | 1705 | 150 | 350                                      | 92                   |
| 1800                     | 800               | 400 |   |   |   | 640   | 1650  | 690  | 1705 | 150 | 500                                      | 102                  |
| 1800                     | 800 <sup>D</sup>  | 400 |   |   |   | 240-240   | 1650  | 690  | 1705 | 150 | 500                                      | 102                  |
| 1800                     | 1000              | 400 |   |   |   | 840   | 1650  | 890  | 1705 | 150 | 700                                      | 122                  |
| 1800                     | 1000 <sup>D</sup> | 400 |   |   |   | 340-340   | 1650  | 890  | 1705 | 150 | 700                                      | 124                  |
| 1800                     | 1200 <sup>D</sup> | 400 |   |   |   | 440-440   | 1650  | 1090 | 1705 | 150 | 900                                      | 144                  |
| 2000                     | 600               | 400 |   |   |   | 440   | 1850  | 490  | 1905 | 150 | 350                                      | 86                   |
| 2000                     | 800               | 400 |   |   |   | 640   | 1850  | 690  | 1905 | 150 | 500                                      | 112                  |
| 2000                     | 800 <sup>D</sup>  | 400 |   |   |   | 240-240   | 1850  | 690  | 1905 | 150 | 500                                      | 114                  |
| 2000                     | 1000              | 400 |   |   |   | 840   | 1850  | 890  | 1905 | 150 | 700                                      | 134                  |
| 2000                     | 1000 <sup>D</sup> | 400 |   |   |   | 340-340   | 1850  | 890  | 1905 | 150 | 700                                      | 136                  |
| 2000                     | 1200 <sup>D</sup> | 400 |   |   |   | 440-440   | 1850  | 1090 | 1905 | 150 | 900                                      | 166                  |

D = porta divisa in battuta / solid leaf door

PAG.



SISTEMI DI CHIUSURA  
CLOSING SYSTEM

145



SISTEMI DI AERAZIONE  
VENTILATION SYSTEMS

146

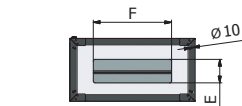


ZOCCOLI  
PLINTH

151

NEW ▶

NEW ▶

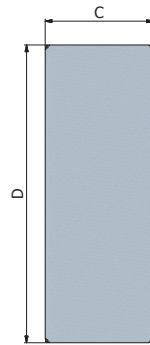
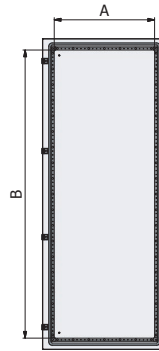
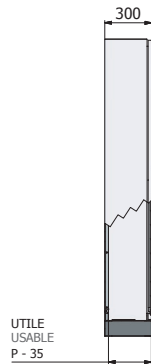
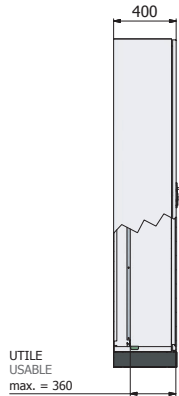
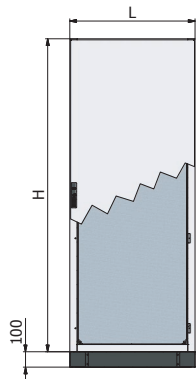


PAG. 152 SCHEDA TECNICA ZOCCOLI  
DATA SHEET PLINTH

PIASTRA INTERNA  
REGOLABILE  
ADJUSTABLE INTERNAL  
MOUNTING PLATE

PIASTRA INTERNA  
FISSA  
INTERNAL MOUNTING  
PLATE FIXED

PIASTRA INTERNA  
INTERNAL MOUNTING PLATE



Corpo, porta, piastra interna  
e zoccolo da 100.  
Cabinet structure, front door,  
mounting plate and plinth  
H=100.



I codici con lettera D  
indicano porta divisa in battuta.  
The D in the article code means  
the cabinet with double solid leaf door.

| Dimensioni<br>Dimensions |                   |                  |     |   |   | Articolo<br>Article | Piastra interna<br>fissata sul retro<br>Internal mounting plate<br>fixed on the rear | Piastra interna<br>regolabile<br>Adjustable internal<br>mounting plate | Flange entrata cavi<br>regolabili<br>Adjustable modular<br>cable entry |
|--------------------------|-------------------|------------------|-----|---|---|---------------------|--|--|--|
| H                        | H                 | L                | W   | P | D |                     |  |  |  |
| 1800                     | 600               | 300              |     |   |   | HB1863              | •  |  |  |
| 1800                     | 600               | 400              |     |   |   | HB1864              |  | •  | •  |
| 1800                     | 800               | 300              |     |   |   | HB1883              | •  |  |  |
| NEW ▶                    | 1800              | 800 <sup>D</sup> | 300 |   |   | HB1883D             | •  |  | •  |
| 1800                     | 800               | 400              |     |   |   | HB1884              |  | •  | •  |
| NEW ▶                    | 1800              | 800 <sup>D</sup> | 400 |   |   | HB1884D             |  | •  | •  |
| 1800                     | 1000              | 400              |     |   |   | HB1814              |  | •  | •  |
| 1800                     | 1000 <sup>D</sup> | 400              |     |   |   | HB1814D             |  | •  | •  |
| 1800                     | 1200 <sup>D</sup> | 400              |     |   |   | HB1824D             |  | •  | •  |
| 2000                     | 600               | 400              |     |   |   | HB2064              |  | •  | •  |
| 2000                     | 800               | 400              |     |   |   | HB2084              |  | •  | •  |
| 2000                     | 800 <sup>D</sup>  | 400              |     |   |   | HB2084D             |  | •  | •  |
| 2000                     | 1000              | 400              |     |   |   | HB2104              |  | •  | •  |
| 2000                     | 1000 <sup>D</sup> | 400              |     |   |   | HB2104D             |  | •  | •  |
| 2000                     | 1200 <sup>D</sup> | 400              |     |   |   | HB2124D             |  | •  | •  |

ARTICOLI PER COMPLETAMENTO / MAIN ACCESSORIES

Corpo, porta.  
(Piastra non compresa).  
Cabinet structure, front door.  
(Mounting plate not included).



PIASTRA NON COMPRESA  
MOUNTING PLATE  
NOT INCLUDED

| Dimensioni<br>Dimensions |                   |                  |     |   |   | Articolo<br>Article | Piastra<br>Mounting plate<br>* Piastra interna fissata sul retro<br>Internal mounting plate fixed on the rear | Zoccolo<br>Plinth<br>H=100 |
|--------------------------|-------------------|------------------|-----|---|---|---------------------|---|----------------------------|
| H                        | H                 | L                | W   | P | D |                     |   |                            |
| 1800                     | 600               | 300              |     |   |   | HB1863N             | P186H*  | Z63                        |
| 1800                     | 600               | 400              |     |   |   | HB1864N             | P186H   | Z64                        |
| 1800                     | 800               | 300              |     |   |   | HB1883N             | P188H*  | Z83                        |
| NEW ▶                    | 1800              | 800 <sup>D</sup> | 300 |   |   | HB1883DN            | P188H*  | Z83                        |
| 1800                     | 800               | 400              |     |   |   | HB1884N             | P188H   | Z84                        |
| NEW ▶                    | 1800              | 800 <sup>D</sup> | 400 |   |   | HB1884DN            | P188H   | Z84                        |
| 1800                     | 1000              | 400              |     |   |   | HB1814N             | P181H   | Z104                       |
| 1800                     | 1000 <sup>D</sup> | 400              |     |   |   | HB1814DN            | P181H   | Z104                       |
| 1800                     | 1200 <sup>D</sup> | 400              |     |   |   | HB1824DN            | P182H   | Z124                       |
| 2000                     | 600               | 400              |     |   |   | HB2064N             | P206H   | Z64                        |
| 2000                     | 800               | 400              |     |   |   | HB2084N             | P208H   | Z84                        |
| 2000                     | 800 <sup>D</sup>  | 400              |     |   |   | HB2084DN            | P208H   | Z84                        |
| 2000                     | 1000              | 400              |     |   |   | HB2104N             | P210H   | Z104                       |
| 2000                     | 1000 <sup>D</sup> | 400              |     |   |   | HB2104DN            | P210H   | Z104                       |
| 2000                     | 1200 <sup>D</sup> | 400              |     |   |   | HB2124DN            | P212H   | Z124                       |

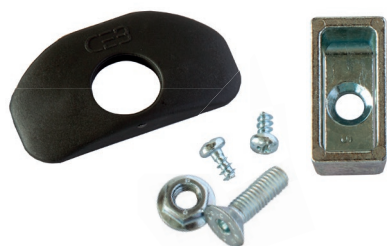


1 2 3 4

### CHIAVI

#### KEYS

| Articolo<br>Article | Descrizione<br>Description                             |
|---------------------|--|
| 1 CA3               | Doppia aletta in zama<br>Double cam                    |
| 2 CA3P              | Doppia aletta in plastica<br>Plastic double cams       |
| 3 CT7               | Triangolo da 7 mm in zama<br>Triangular mark from 7 mm |
| 4 CS333             | Chiave 333 (PDCK)<br>333 key                           |



### GRUPPO SERRATURA COMPLETA

Composta: mostrina, blocchetto di aggancio, tirante doppia aletta o triangolo, due viti TC croce 3,5x6,5, vite TPSEI M5x16 e dado da M5 flangiato.

#### LOCKING SYSTEM

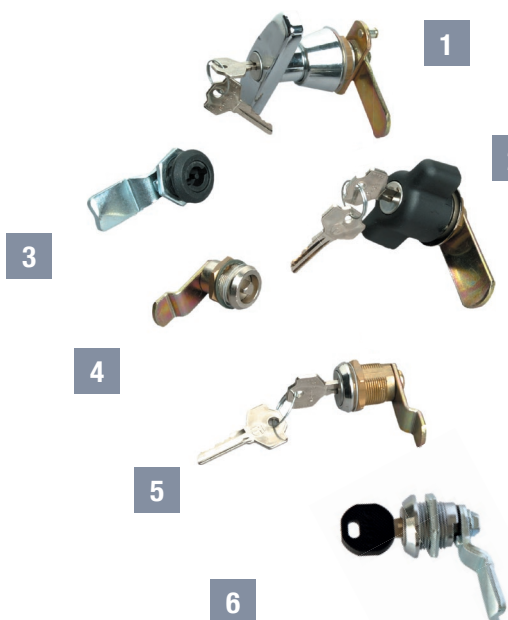
Made of: rod system, locking cover, and insert double cam or triangle, screws and nuts.



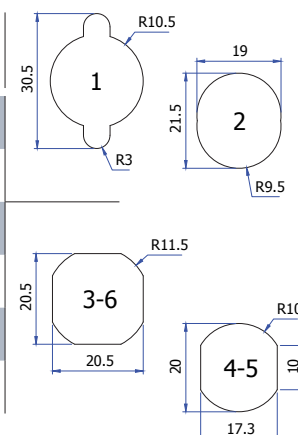
1 2 3

| Articolo<br>Article | Descrizione<br>Description   |
|---------------------|--|
| 1 BOXCEB            | Box completo con inserto doppia aletta<br>Lock system double cam                         |
| 2 BOXG              | Box completo con inserto triangolo da 7 mm<br>Lock system with triangle insert from 7 mm |
| 3 BOXG8             | Box completo con inserto triangolo da 8 mm<br>Lock system with triangle insert from 8 mm |

### SERRATURE NON COMPATIBILI CON FORATURE STANDARD LOCKS INCOMPATIBLE WITH STANDARD HOLE



| Articolo<br>Article | Descrizione<br>Description   |
|---------------------|--|
| 1 MG5C              | Maniglia con chiave<br>T-handle with key                           |
| 2 PG5C              | Galletto dx con chiave<br>Knob dx with key                         |
| 3 BOX2              | Box doppia aletta in zama<br>Quarter turn in zama with cams insert |
| 4 BOXT              | Box triangolo completo<br>Lock system with triangle insert         |
| 5 BOXC              | Box con chiave completo<br>Lock system complete with key           |
| 6 BOX2CH            | Box cromato con chiave 333 (PDCK)<br>Chromed box with key 333      |





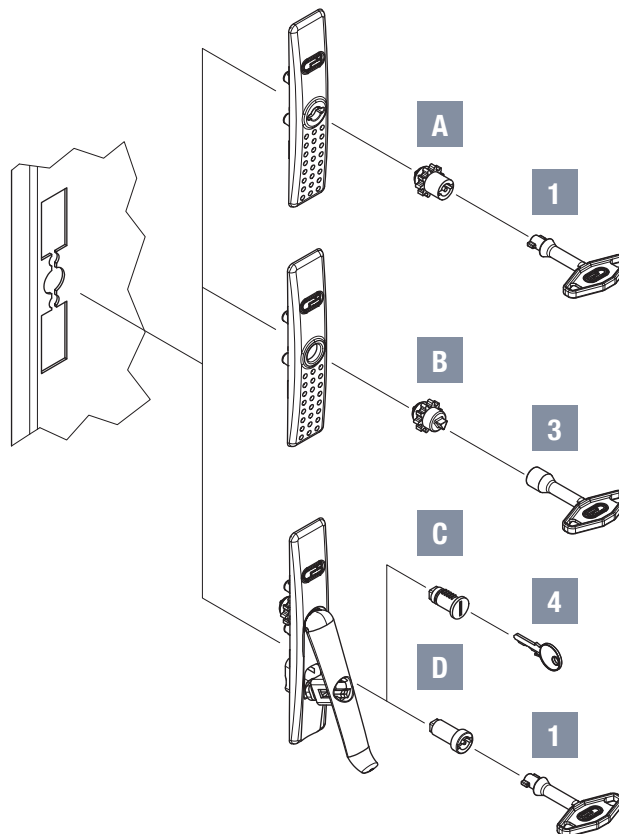
### SISTEMI DI CHIUSURA

Gli armadi sono forniti di serie con la chiusura MG00L e la chiave CA3 (doppia aletta). A richiesta possono essere montati: mostrina ed inserto a triangolo MG00T6 completo di chiave CT7, maniglia con inserto doppia aletta MGDA completo di chiave CA3, maniglia con inserto di sicurezza MG33L completo di chiave 333.

### CLOSING SYSTEM

The supply includes the lock MG00L and key CA3 (double cam). On demand you can substitute with: triangle lock MG00T6 with key CT7, swinging handle MGDA with key CA3, swinging handle MG33L with safety key 333.

| Articolo<br>Article | Descrizione<br>Description   |
|---------------------|--|
| <b>A</b> MG00L      | Mostrina con inserto doppia aletta<br>Locking cover with double cam          |
| <b>B</b> MG00T6     | Mostrina con inserto a triangolo 6 mm<br>Locking cover with triangle 6 mm    |
| <b>C</b> MG33L      | Maniglia girevole con chiave di sicurezza<br>Swinging handle with safety key |
| <b>D</b> MGDA       | Maniglia girevole doppia aletta<br>Swinging handle double cam                |



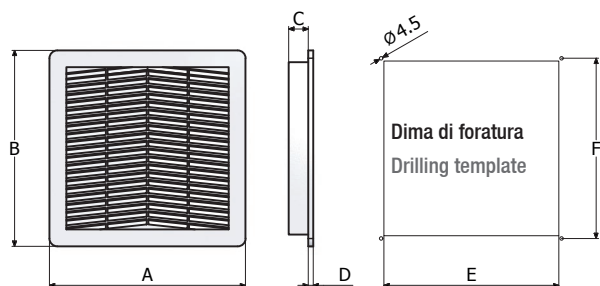


### GRIGLIE CON FILTRO IP54

- Griglia in ABS autoestinguente UL94 VO con filtro EU3;
- Viti di fissaggio e guarnizione adesiva;
- Confezione singola in scatola di cartone;
- Colore RAL7035;
- Certificati UL.

### FILTER UNITS IP54

- Grille made of self-extinguishing ABS UL94V0 with EU3 filter;
- Affixed by four self-threading screws;
- Single packet in carton box;
- Painted RAL7035;
- Certified UL.



| Articolo<br>Article | A   | B   | C  | D | E   | F   |
|---------------------|-----|-----|----|---|-----|-----|
| FIL00               | 105 | 105 | 14 | 7 | 92  | 95  |
| FIL10               | 150 | 150 | 21 | 7 | 125 | 131 |
| FIL20               | 250 | 250 | 23 | 8 | 223 | 230 |
| FIL30               | 325 | 325 | 24 | 9 | 291 | 302 |

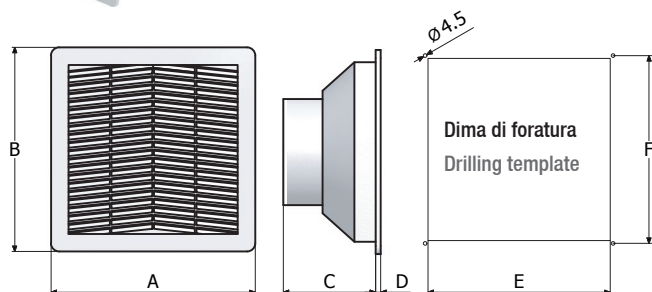


### GRIGLIE CON VENTILATORE IP54

- Griglia in ABS autoestinguente UL94V0 con filtro EU4, contenitore ventilatore in ABS con griglia di protezione, ventilatore, morsettiera, guarnizione adesiva e viti di fissaggio;
- Confezione singola in scatola di cartone;
- Colore RAL7035.

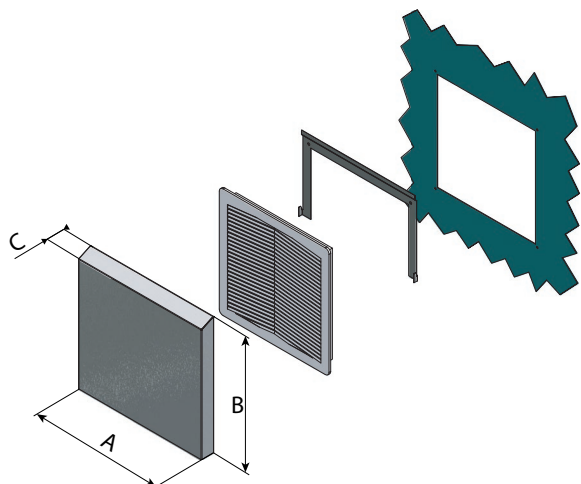
### FAN AND FILTER IP54

- Grille made of self-extinguishing ABS UL94V0 with EU4 filter fan with motor protection, gasket, self-threading screws and terminals;
- Single packet in carton box;
- Painted RAL7035.



| Articolo<br>Article | A   | B   | C   | D | E   | F   |
|---------------------|-----|-----|-----|---|-----|-----|
| VEN10 (UL)          | 150 | 150 | 64  | 7 | 125 | 131 |
| VEN20               | 250 | 250 | 113 | 8 | 223 | 230 |
| VEN20UL             | 250 | 250 | 113 | 8 | 223 | 230 |
| VEN30               | 325 | 325 | 152 | 9 | 291 | 302 |
| VEN30UL             | 325 | 325 | 152 | 9 | 291 | 302 |
| VEN910 (UL)         | 150 | 150 | 64  | 7 | 125 | 131 |
| VEN920              | 250 | 250 | 113 | 8 | 223 | 230 |

| Articolo<br>Article | Tensione<br>Power supply | Frequenza<br>Frequency | Assorbimento<br>Absorption | Portata aria kit<br>Air flow set | Rumore<br>Noise | Temp. di esercizio<br>Rated temp. range |         |
|---------------------|--------------------------|------------------------|----------------------------|----------------------------------|-----------------|---|---------|
|                     | V                        | Hz                     | mA                         | W                                | dB (A)          | °C                                      |         |
| VEN10 (UL)          | 230c.a.                  | 50/60                  | 125/110                    | 20/19                            | 57/61           | 43/48                                   | -10/+55 |
| VEN20 / VEN20UL     | 230c.a.                  | 50/60                  | 120/120                    | 29/30                            | 240/270         | 50/55                                   | -10/+55 |
| VEN30 / VEN30UL     | 230c.a.                  | 50/60                  | 300/370                    | 59/72                            | 520/580         | 63/65                                   | -10/+55 |
| VEN910 (UL)         | 115c.a.                  | 50/60                  | 210/180                    | 20/18                            | 57/61           | 43/48                                   | -10/+55 |
| VEN920              | 115c.a.                  | 50/60                  | 250/260                    | 29/30                            | 240/270         | 50/55                                   | -10/+55 |



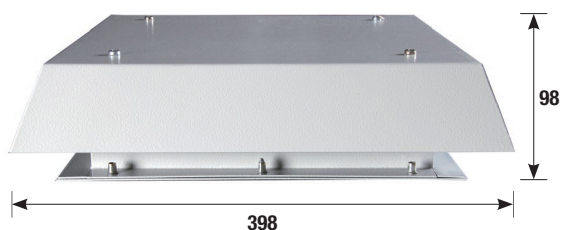
### CUFFIA DI PROTEZIONE INOX

Cuffia inox AISI304 di protezione per filtri e ventilatori.

### STAINLESS STEEL PROTECTION FOR FAN AND FILTER

Protection for fan and filter made in AISI304 stainless steel.

| Articolo<br>Article | Compatibili con<br>Compatible with |       |  | A   | B   | C  |
|---------------------|------------------------------------|-------|--|-----|-----|----|
|                     | FIL                                | VEN   |  |     |     |    |
| RDP10               | FIL10                              | VEN10 |  | 188 | 176 | 40 |
| RDP20               | FIL20                              | VEN20 |  | 288 | 276 | 40 |
| RDP30               | FIL30                              | VEN30 |  | 367 | 350 | 40 |

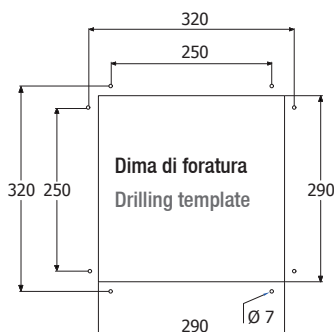


### TORRINO DI ESTRAZIONE MONOFASE

- Grado di protezione: IP 23;
- Composizione: tetto, corpo supporto ventilatore, ventilatore radiale, supporto raccordo di aspirazione con salvadita, condensatore e morsetteria, guarnizione ed accessori per il montaggio;
- Verniciatura: a polveri termoindurenti RAL7035.

### SINGLE PHASE EXTRACTING POWER

- Protection degree: IP 23;
- Composed of: roof, ventilator support, radial ventilator, connector for aspiration with saver finger, terminal and condenser, gasket and mounting accessories;
- Painted: RAL7035.



| Articolo<br>Article | Alimentazione<br>Voltage | Frequenza<br>Frequency | Assorbimento<br>Absorption | Portata aria<br>Air flow |                   | Rumore<br>Noise | Temp. max<br>Max temp. |
|---------------------|--------------------------|------------------------|----------------------------|--------------------------|-------------------|-----------------|------------------------|
|                     | VAC                      | Hz                     | A                          | W                        | m <sup>3</sup> /h | dB (A)          | °C                     |
| TV600               | 220/240                  | 50/60                  | 0,29                       | 65                       | 600               | 61              | 60                     |
| TV610               | 115                      | 50/60                  | 0,58                       | 55/69                    | 590/610           | 58/60           | 60                     |
| TV940               | 220/240                  | 50/60                  | 0,41                       | 91                       | 940               | 68              | 60                     |



### TORRINO DI AERAZIONE

- Grado di protezione: IP 23;
- Verniciatura: a polveri termoindurenti RAL7035.

### AERATION VENTILATOR CHIMNEY

- Protection degree: IP23;
- Painted: RAL7035.

| Articolo<br>Article |
|---------------------|
| TV010               |





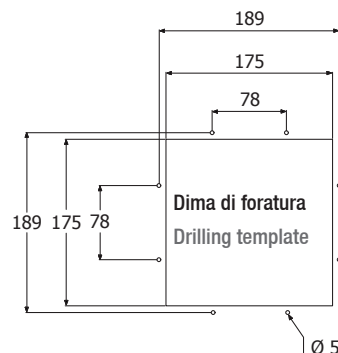
### TORRINO DI ESTRAZIONE MONOFASE

- Costruzione: struttura in plastica, coperchio inox;
- Verniciatura: RAL7035;
- Grado di protezione: IP54.

### SINGLE PHASE EXTRACTING POWER

- Structure: plastic structure, stainless steel roof;
- Painted: RAL7035;
- Protection degree: IP54.

| Articolo<br>Article | Alimentazione<br>Voltage | Frequenza<br>Frequency | Assorbimento<br>Absorption | Portata aria<br>Air flow | Rumore<br>Noise   | Temp. max<br>Max temp. |
|---------------------|--------------------------|------------------------|----------------------------|--------------------------|-------------------|------------------------|
|                     | VAC                      | Hz                     | A                          | W                        | m <sup>3</sup> /h | dB (A)                 |
| TV530               | 230                      | 50/60                  | 0,71                       | 78/82                    | 530/563           | 59/61                  |
|                     |                          |                        |                            |                          |                   | °C                     |



### TORRINO DI AERAZIONE SENZA MOTORE

Grado di protezione: IP 54 verniciatura: a polveri termoindurenti RAL7035.

### AERATION VENTILATOR CHIMNEY WITHOUT ENGINE

Protection degree: IP54 painted: RAL7035.

Articolo  
Article

TV020

### TERMOSTATI

### THERMOSTATS



1

2

3

Articolo  
Article

Descrizione  
Description

1

TE10

10A 230V NC -10° +60°

2

TE20

10A 230V NO -10° +60°

3

TE30

10A 230V NO/NC -10° +65°

### KIT SUPPORTO REGOLABILE PER PROFILO DIN (2+2 PEZZI)

### ADJUSTABLE SUPPORT KIT FOR DIN PROFILE (2+2 PIECES)

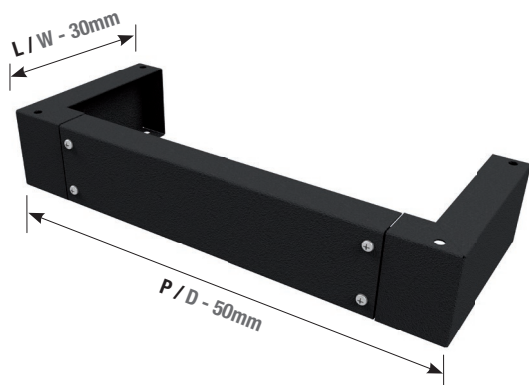


Articolo  
Article

Descrizione  
Description

SU450D

Coppia di supporti profilo DIN H=150 completo di viti  
Couple supports for DIN profile H=150 with bolts



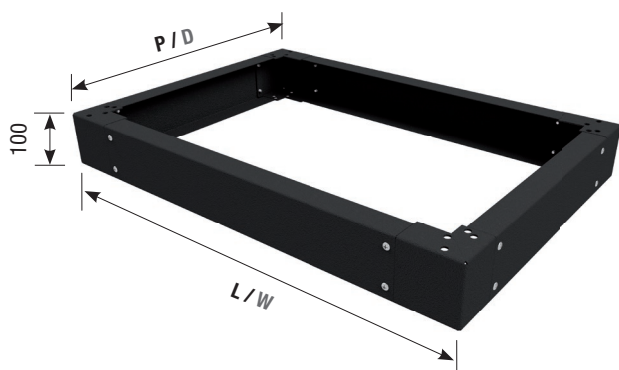
### ZOCCOLO A 2 CANTONALI APERTO SENZA UN LATO H=100 PER HMZL

Costruzione in lamiera verniciatura RAL7022 con polveri poliestere termoindurenti.

#### PLINTH MADE OF 2 CORNERS FOR HMZL

Manufactured from steel painted with thermosetting powder coating RAL7022.

| Dimensioni armadio<br>Cabinet dimensions |   |      |   | Dimensioni zoccolo<br>plinth dimensions |   |     |   | Articolo<br>Article |
|--|---|------|---|---|---|-----|---|---------------------|
| L  | W | P    | D | L                                       | W | P   | D |                     |
| 250                                      |   | 400  |   | 220                                     |   | 350 |   | Z0240               |
| 250                                      |   | 500  |   | 220                                     |   | 450 |   | Z025                |
| 250                                      |   | 600  |   | 220                                     |   | 550 |   | Z026                |
| 250                                      |   | 800  |   | 220                                     |   | 750 |   | Z028                |
| 250                                      |   | 1000 |   | 220                                     |   | 950 |   | Z021                |

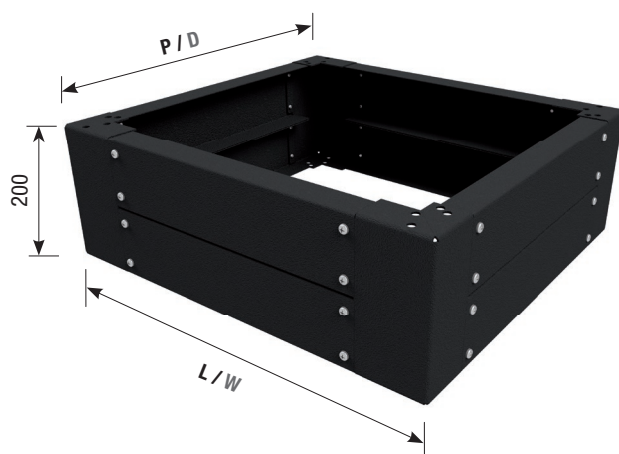


### ZOCCOLO 4 CANTONALI H=100 / 200 PER HM - ABL

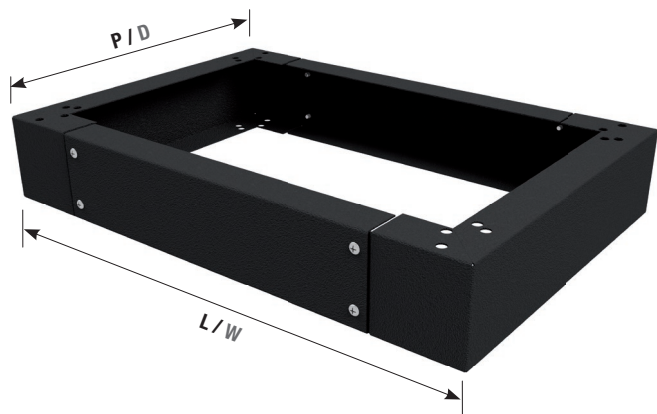
Costruzione in lamiera verniciatura RAL7022 con polveri poliestere termoindurenti.

#### PLINTH MADE OF 4 CORNERS H=100 / 200 FOR HM - ABL

Manufactured from steel painted with thermosetting powder coating RAL7022 orange peel.



| Dimensioni armadio<br>Cabinet dimensions |      |      |     | Dimensioni zoccolo<br>plinth dimensions |   |   |   | Articolo<br>Article |         |
|--|------|------|-----|---|---|---|---|---------------------|---------|
| L  | W    | P    | D   | L                                       | W | P | D | H=100               | H=200   |
| 400                                      | 400  | 400  | 350 |   |   |   |   | Z0440               | Z02440  |
| 400                                      | 500  | 400  | 450 |   |   |   |   | Z045                | Z0245   |
| 400                                      | 600  | 400  | 550 |   |   |   |   | Z046                | Z0246   |
| 400                                      | 800  | 400  | 750 |   |   |   |   | Z048                | Z0248   |
| 400                                      | 1000 | 400  | 950 |   |   |   |   | Z041                | Z0241   |
| 600                                      | 400  | 600  | 350 |   |   |   |   | Z0640               | Z02640  |
| 600                                      | 500  | 600  | 450 |   |   |   |   | Z065                | Z0265   |
| 600                                      | 600  | 600  | 550 |   |   |   |   | Z066                | Z0266   |
| 600                                      | 800  | 600  | 750 |   |   |   |   | Z068                | Z0268   |
| 600                                      | 1000 | 600  | 950 |   |   |   |   | Z061                | Z0261   |
| 800                                      | 400  | 800  | 350 |   |   |   |   | Z0840               | Z02840  |
| 800                                      | 500  | 800  | 450 |   |   |   |   | Z085                | Z0285   |
| 800                                      | 600  | 800  | 550 |   |   |   |   | Z086                | Z0286   |
| 800                                      | 800  | 800  | 750 |   |   |   |   | Z088                | Z0288   |
| 800                                      | 1000 | 800  | 950 |   |   |   |   | Z081                | Z0281   |
| 1000                                     | 400  | 1000 | 350 |   |   |   |   | Z01040              | Z021040 |
| 1000                                     | 500  | 1000 | 450 |   |   |   |   | Z0105               | Z02105  |
| 1000                                     | 600  | 1000 | 550 |   |   |   |   | Z0106               | Z02106  |
| 1000                                     | 800  | 1000 | 750 |   |   |   |   | Z0108               | Z02108  |
| 1000                                     | 1000 | 1000 | 950 |   |   |   |   | Z0101               | Z02101  |
| 1200                                     | 400  | 1200 | 350 |   |   |   |   | Z01240              | Z021240 |
| 1200                                     | 500  | 1200 | 450 |   |   |   |   | Z0125               | Z02125  |
| 1200                                     | 600  | 1200 | 550 |   |   |   |   | Z0126               | Z02126  |
| 1200                                     | 800  | 1200 | 750 |   |   |   |   | Z0128               | Z02128  |
| 1200                                     | 1000 | 1200 | 950 |   |   |   |   | Z0121               | Z02121  |
| 1400                                     | 400  | 1400 | 350 |   |   |   |   | Z01440              | Z021440 |
| 1400                                     | 500  | 1400 | 450 |   |   |   |   | Z0145               | Z02145  |
| 1400                                     | 600  | 1400 | 550 |   |   |   |   | Z0146               | Z02146  |
| 1600                                     | 400  | 1600 | 350 |   |   |   |   | Z01640              | Z021640 |
| 1600                                     | 500  | 1600 | 450 |   |   |   |   | Z0165               | Z02165  |
| 1600                                     | 600  | 1600 | 550 |   |   |   |   | Z0166               | Z02166  |
| 1600                                     | 800  | 1600 | 750 |   |   |   |   | Z0168               | Z02168  |



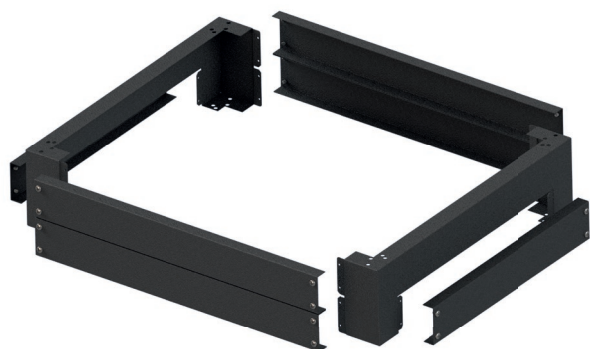
### ZOCCOLO 2 CANTONALI H=100 PER HB - HR - LEGGII - PD-PDCV - HC

Costruzione in lamiera verniciatura RAL7022 con polveri poliestere termoindurenti.

### PLINTH MADE OF 2 CORNERS H=100 FOR HB - HR - DESKS - PD - PDCV - HC

Manufactured from steel painted with thermosetting powder coating RAL7022.

| Dimensioni armadio e zoccolo<br>Cabinet and plinth dimensions |   |     |   | Articolo<br>Article | Dimensioni armadio e zoccolo<br>Cabinet and plinth dimensions |   |     |   | Articolo<br>Article |
|---|---|-----|---|---------------------|---|---|-----|---|---------------------|
| L   | W | P   | D |                     | L   | W | P   | D |                     |
| 600   |   | 250 |   | Z62                 | 1200  |   | 300 |   | Z123                |
| 600   |   | 300 |   | Z63                 | 1200  |   | 400 |   | Z124                |
| 600   |   | 400 |   | Z64                 | 1200  |   | 500 |   | Z125                |
| 600   |   | 500 |   | Z65                 | 1400  |   | 400 |   | Z144                |
| 800   |   | 250 |   | Z82                 | 1400  |   | 500 |   | Z145                |
| 800   |   | 300 |   | Z83                 | 1600  |   | 400 |   | Z164                |
| 800   |   | 400 |   | Z84                 | 1600  |   | 500 |   | Z165                |
| 800   |   | 500 |   | Z85                 | 1800  |   | 400 |   | Z184                |
| 1000  |   | 300 |   | Z103                | 2000  |   | 400 |   | Z204                |
| 1000  |   | 400 |   | Z104                | 2000  |   | 500 |   | Z205                |
| 1000  |   | 500 |   | Z105                |   |   |     |   |                     |



### ZOCCOLO 2 CANTONALI H=200 PER HM

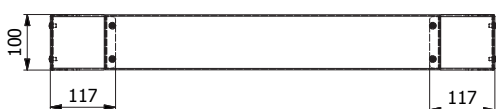
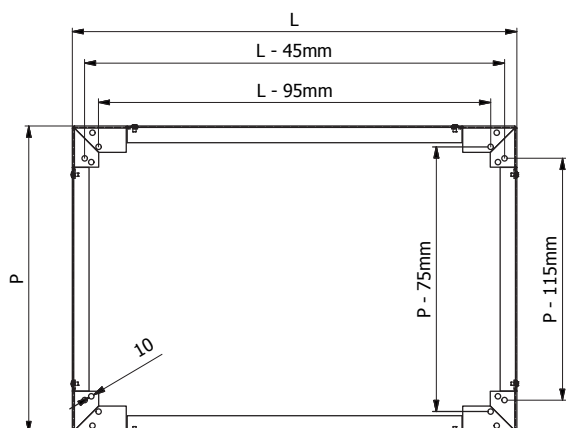
Costruzione in lamiera verniciatura RAL7022 con polveri poliestere termoindurenti.

### PLINTH MADE OF 2 CORNERS H=200 FOR HM

Manufactured from steel painted with thermosetting powder coating RAL7022.

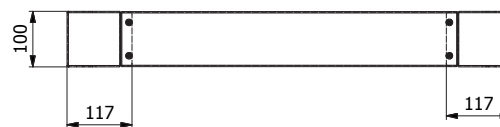
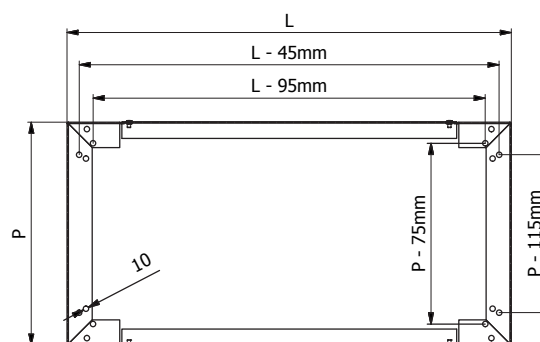
| Dimensioni armadio e zoccolo<br>Cabinet and plinth dimensions |      |   |     | Articolo<br>Article |
|---|------|---|-----|---------------------|
| L   | W    | P | D   |                     |
| NEW ▶   | 800  |   | 600 | ZPN86               |
| NEW ▶   | 800  |   | 800 | ZPN88               |
| NEW ▶   | 1000 |   | 600 | ZPN106              |
| NEW ▶   | 1000 |   | 800 | ZPN108              |
| NEW ▶   | 1200 |   | 600 | ZPN126              |
| NEW ▶   | 1200 |   | 800 | ZPN128              |

ZOCCOLI A 4 CANTONALI PER ARMADI HM

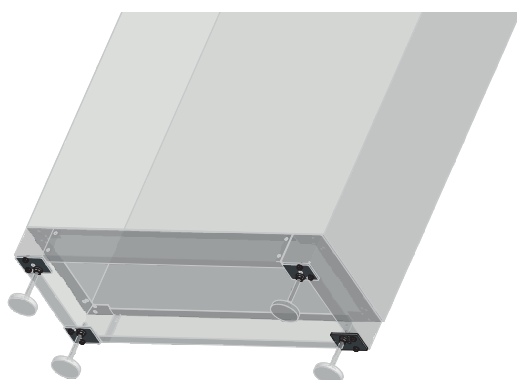


| TABELLA          |               |
|------------------|---------------|
| PROF. ARMADIO HM | PROF. ZOCCOLO |
| 400              | P=350         |
| 500              | P=450         |
| 600              | P=550         |
| 800              | P=750         |
| 1000             | P=950         |

ZOCCOLI A 2 CANTONALI PER ARMADI MONOBLOCCO



| TABELLA       |               |
|---------------|---------------|
| PROF. ARMADIO | PROF. ZOCCOLO |
| 250           | P=250         |
| 300           | P=300         |
| 400           | P=400         |
| 500           | P=500         |



**SUPPORTO PER PIEDINI REGOLABILI CON FILETTO M12**

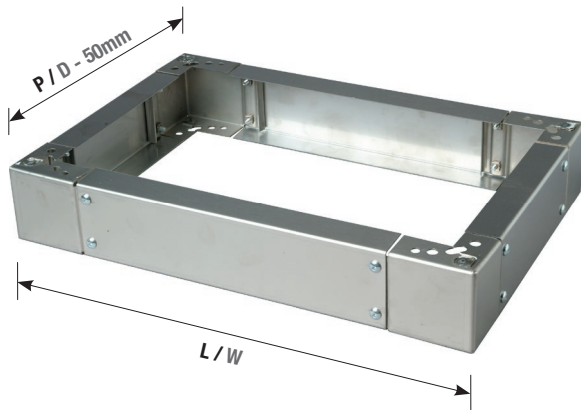
Costruzione in lamiera verniciatura RAL7022 con polveri poliestere termoindurenti.

**ADJUSTABLE STEM WITH M12 THREAD**

Manufactured from steel painted with thermosetting powder coating RAL7022.

Articolo  
Article

**NEW** ▶ SZP12



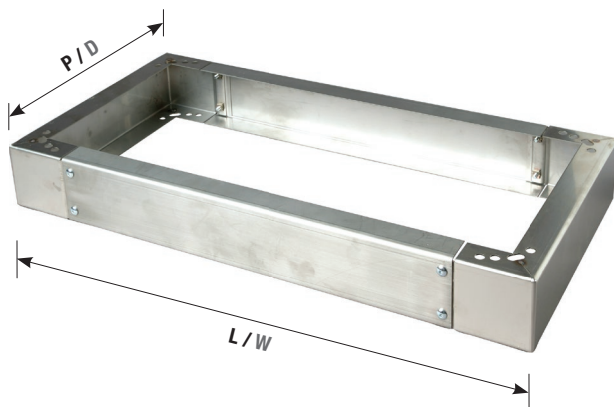
### ZOCCOLO 4 CANTONALI INOX H=100 PER HMX

Costruzione in acciaio inox AISI 304.

### STAINLESS STEEL PLINTH MADE OF 4 CORNERS H=100 FOR HMX

Manufactured from stainless steel AISI 304.

| Dimensioni armadio<br>Cabinet dimensions |      |      |     | Dimensioni zoccolo<br>plinth dimensions |      |      |      | Articolo<br>Article | Dimensioni armadio<br>Cabinet dimensions |   |   |   | Dimensioni zoccolo<br>Plinth dimensions |   |   |   | Articolo<br>Article |
|--|------|------|-----|---|------|------|------|---------------------|--|---|---|---|---|---|---|---|---------------------|
| L  | W    | P    | D   | L                                       | W    | P    | D    |                     | L  | W | P | D | L                                       | W | P | D |                     |
| 400                                      | 400  | 400  | 350 | ZOX440                                  | 1000 | 500  | 1000 | 450                 | ZOX105                                   |   |   |   |   |   |   |   |                     |
| 400                                      | 500  | 400  | 450 | ZOX45                                   | 1000 | 600  | 1000 | 550                 | ZOX106                                   |   |   |   |   |   |   |   |                     |
| 400                                      | 600  | 400  | 550 | ZOX46                                   | 1000 | 800  | 1000 | 750                 | ZOX108                                   |   |   |   |   |   |   |   |                     |
| 400                                      | 800  | 400  | 750 | ZOX48                                   | 1000 | 1000 | 1000 | 950                 | ZOX101                                   |   |   |   |   |   |   |   |                     |
| 400                                      | 1000 | 400  | 950 | ZOX41                                   | 1200 | 400  | 1200 | 350                 | ZOX1240                                  |   |   |   |   |   |   |   |                     |
| 600                                      | 400  | 600  | 350 | ZOX640                                  | 1200 | 500  | 1200 | 450                 | ZOX125                                   |   |   |   |   |   |   |   |                     |
| 600                                      | 500  | 600  | 450 | ZOX65                                   | 1200 | 600  | 1200 | 550                 | ZOX126                                   |   |   |   |   |   |   |   |                     |
| 600                                      | 600  | 600  | 550 | ZOX66                                   | 1200 | 800  | 1200 | 750                 | ZOX128                                   |   |   |   |   |   |   |   |                     |
| 600                                      | 800  | 600  | 750 | ZOX68                                   | 1200 | 1000 | 1200 | 950                 | ZOX121                                   |   |   |   |   |   |   |   |                     |
| 600                                      | 1000 | 600  | 950 | ZOX61                                   | 1400 | 400  | 1400 | 350                 | ZOX1440                                  |   |   |   |   |   |   |   |                     |
| 800                                      | 400  | 800  | 350 | ZOX840                                  | 1400 | 500  | 1400 | 450                 | ZOX145                                   |   |   |   |   |   |   |   |                     |
| 800                                      | 500  | 800  | 450 | ZOX85                                   | 1400 | 600  | 1400 | 550                 | ZOX146                                   |   |   |   |   |   |   |   |                     |
| 800                                      | 600  | 800  | 550 | ZOX86                                   | 1600 | 400  | 1600 | 350                 | ZOX1640                                  |   |   |   |   |   |   |   |                     |
| 800                                      | 800  | 800  | 750 | ZOX88                                   | 1600 | 500  | 1600 | 450                 | ZOX165                                   |   |   |   |   |   |   |   |                     |
| 800                                      | 1000 | 800  | 950 | ZOX81                                   | 1600 | 600  | 1600 | 550                 | ZOX166                                   |   |   |   |   |   |   |   |                     |
| 1000                                     | 400  | 1000 | 350 | ZOX1040                                 | 1600 | 800  | 1600 | 750                 | ZOX168                                   |   |   |   |   |   |   |   |                     |



### ZOCCOLO 2 CANTONALI INOX H=100 PER HRX - HBX - LZX

Costruzione in acciaio inox AISI 304.

### PLINTH MADE OF 2 CORNERS H=100 FOR HRX - HBX - LZX

Manufactured from stainless steel AISI 304.

| Dimensioni armadio e zoccolo<br>Cabinet and plinth dimensions |     |      |      | Articolo<br>Article | Dimensioni armadio e zoccolo<br>Cabinet and plinth dimensions |   |   |   | Articolo<br>Article |
|---|-----|------|------|---------------------|---|---|---|---|---------------------|
| L   | W   | P    | D    |                     | L   | W | P | D |                     |
| 600   | 300 | ZX63 | 1000 | 400                 | ZX104   |   |   |   |                     |
| 600   | 400 | ZX64 | 1000 | 500                 | ZX105   |   |   |   |                     |
| 600   | 500 | ZX65 | 1200 | 400                 | ZX124   |   |   |   |                     |
| 800   | 300 | ZX83 | 1200 | 500                 | ZX125   |   |   |   |                     |
| 800   | 400 | ZX84 | 1400 | 500                 | ZX145   |   |   |   |                     |
| 800   | 500 | ZX85 | 1600 | 500                 | ZX165   |   |   |   |                     |